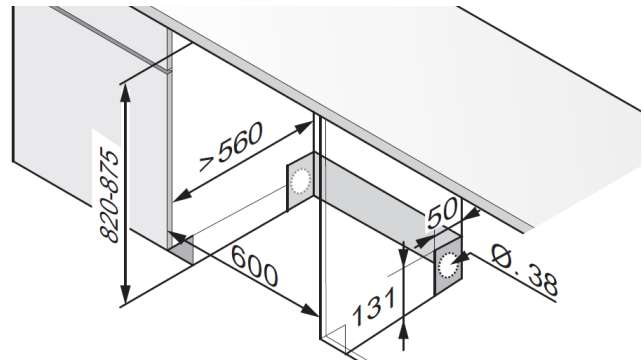


## Design:

- Air extraction and condensation drying
- 8 Steel™ - vital part made in stainless steel
- Front adjustment of rear feet
- LCD display

## Features:

- 13 place settings
- SCS-Super Cleaning System™
- 2 level basket
- Turbo Drying
- 7 washing programmes :
  - Daily wash
  - Intensive programme
  - ECO programme
  - Quick programme
  - Rinsing
  - Time programme
  - Hygiene wash
- Time remaining indicator
- 2 modes : Speed Mode, Night Mode
- 2 spray arms
- Salt & rinse aid indicators
- Aqua Safe overflow protection
- Hidden heating element
- Child lock



## Technical information:

- EU Energy class : A+++
- EU Washing efficiency class: A
- EU Drying efficiency class: A
- Water consumption: 9.9L
- Total connected load: 1300W

## Appliance dimensions:

- 596W x 559D x 819H (mm)

## Built-in dimensions:

- 600W x min560D x 820-870H (mm)

## Made in Slovenia

Sole Distributor of HKSAR & Macau:



The specifications are subject to change without prior notice. © Toptech Co. Limited Nov 2021