

**Design:**

- Stainless steel cabinet
- Button control

**Features:**

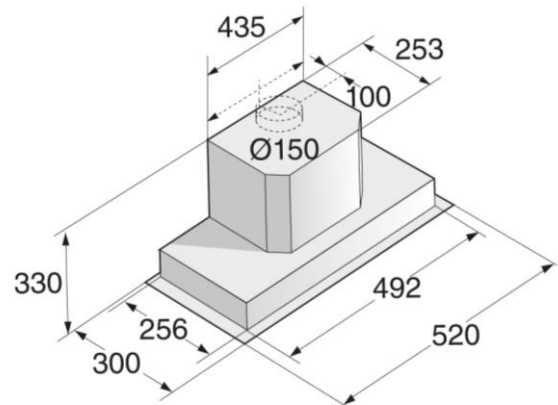
- 4 speed levels
- Boost function
- Timer function
- Dimmable light
- Grease filter indicator
- Number of filters: 2
- Filter material: Aluminium
- Washable grease filter

**Technical information:**

- Max. air flow: 680m<sup>3</sup>/h
- Motor type: inverter motor
- 1W LED lamp x 2
- Air outlet : 150mm
- Total connected load: 277W
- Voltage: 220-240V

**Appliance dimensions:**

- 520W x 300D x 330H (mm)

**Made in Italy**

Sole Distributor of HKSAR & Macau:



A Great Eagle Trading Holdings Company