

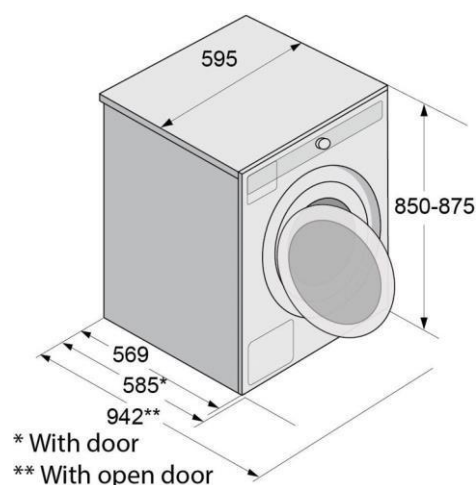
Design:

- Quattro Construction™ - vibration-free spinning
- Door: Steel Seal™ - hygienic door sealing
- Active Drum™, Stainless steel drum
- Main colour: white
- LCD display
- Door hinge on left side, 110° opening angle
- Adjustable feet: 10mm
- ASKO tumble dryer can be mounted on top



Features:

- Wash load: 8kg
- Max. spin speed 1600rpm
- Options: Adjustable spin speed / Super Rinse™ / Super wash / High water level / Prewash / Anticrease function
- Modes: Normal / Green / Speed / Intensive
- 16 programs
- Water level sensor
- Delayed Start, remaining time indicator
- Waterproof bottom plate
- Anti Block™ - self cleaning drain pump
- Lockable control panel
- Unbalance detection
- Overheat protection, overflow protection



Technical information:

- Energy class: A+++
- Drum volume: 60L
- Total connected load: 2200W
- Heater power: 2000W
- Temperature range: Cold - 90°C
- Frequency / Voltage: 50Hz / 220-240V
- Net weight: 75kg

Appliance dimensions:

- 595W x 585D x 850H (mm)

Made in Slovenia

Sole Distributor of HKSAR & Macau:



A Great Eagle Trading Holdings Company