

Design:

- Surface material: stainless steel / painted steel
- Touch control

Features:

- 9 speed levels
- Extra powerful air extraction PowerBoost
- Proximity sensor
- Timer function
- Light color adjustment
- Grease filter indicator
- Number of filters: 2
- Filter material: Aluminium
- Washable grease filter

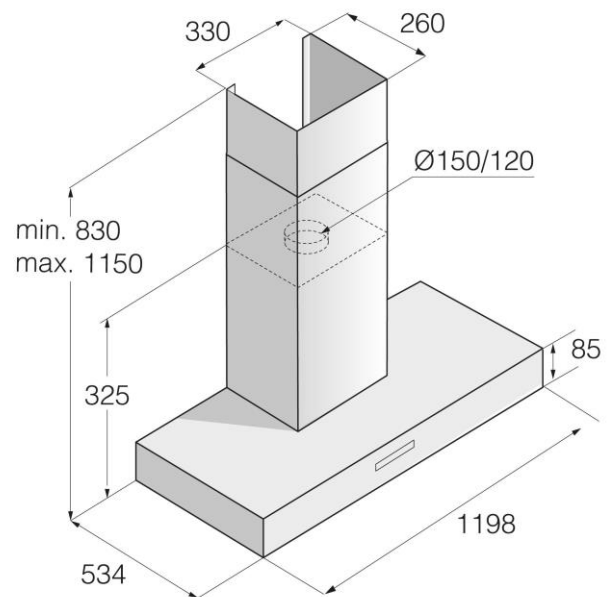


Technical information:

- Max. air flow: 818m³/h
- Max. noise level: 69dB(A)re 1 pW
- 3.8W LED strip x 2
- Air outlet : 120 / 150mm
- Total connected load: 178W
- Frequency / Voltage: 50-60Hz / 220-240V

Appliance dimensions:

- 1198W x 534D x 830-1150H (mm)



Made in Italy

Sole Distributor of HKSAR & Macau:



A Great Eagle Trading Holdings Company

The specifications are subject to change without prior notice. © Toptech Co. Limited Nov 2021