

Design:

- Black ceramic glass top
- Cast iron pan support
- Ergonomic knob cast in one piece of metal

Features:

- Rapid burner front, standard burner rear
- Automatic ignition
- Exact and stepless power setting
- Easy clean burner



Technical information:

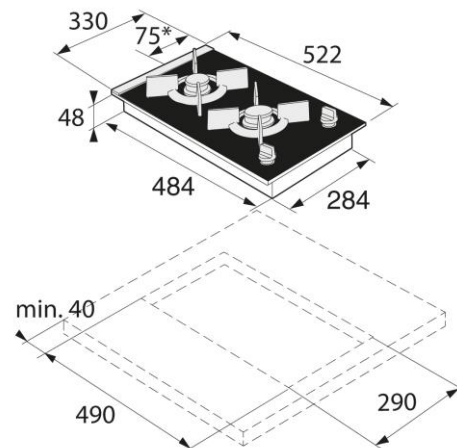
- Heat input: rear burner 2.0kW
front burner 3.0kW
- Gas type: Town gas
- Voltage / Frequency: 220-240V / 50-60Hz

Appliance dimensions:

- 330W x 522D x 48H (mm)

Built-in dimensions:

- 290W x 490D (mm)



Made in Slovenia

Sole Distributor of HKSAR & Macau:



A Great Eagle Trading Holdings Company