

BCS547ORAB/W ORA ITO built-in compact combi-steam oven

Design:

- Glass control panel
- HomeMade cavity design
- Brushed stainless steel handle
- Electronic control
- Icon Touch
- Sinkable knobs

Features:

- MultiFlow 360°
- MultiSteam 360°
- PureSteam
- 10 cooking functions:
 - Lower and upper heater
 - Infra heater
 - Ventilation
 - Infra heater with ventilation
 - Lower heater with circular heater and fan
 - Defrost
 - FastPreheat
 - Strong steam
 - Eco function
 - Steam cooking
- SoftOpen and GentleClose door hinge
- Double lightning

Cleaning features :

- AquaClean
- Descaling
- SilverMatte enamel interior
- Full glass inner door

Safety systems:

- DynamiCooling System +
- Thermoelectric fuse
- Ultra Cool Door (3 glazed glass layers + 2 heat deflect
- Child lock
- Door switch

Technical information:

- 50L usable volume
- 230°C max. temperature
- Total connected load: 2900W



BCS547ORAW



BCS547ORAB

Supplied accessories:

- Oven guide: Fully extendable telescopic guide on one level
- 1 meat probe
- 1 shallow enamelled baking pan
- 1 steam tray & 1 perforated steam tray
- Wire shelf

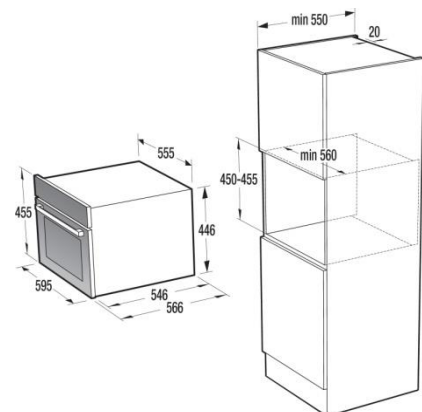
Appliance dimensions:

- 455H x 595W x 546D

Niche dimensions:

- 450H x 560W x 550D

Made in Slovenia



The specifications are subject to change without prior notice. © Toptech Co. Limited