

BHP623E13X 600mm telescopic cooker hood

Design:

- Stainless steel finishing
- Fingertouch free inox
- Mechanic control

Features:

- 3 speed levels
- Exhaust and re-circulate air operation

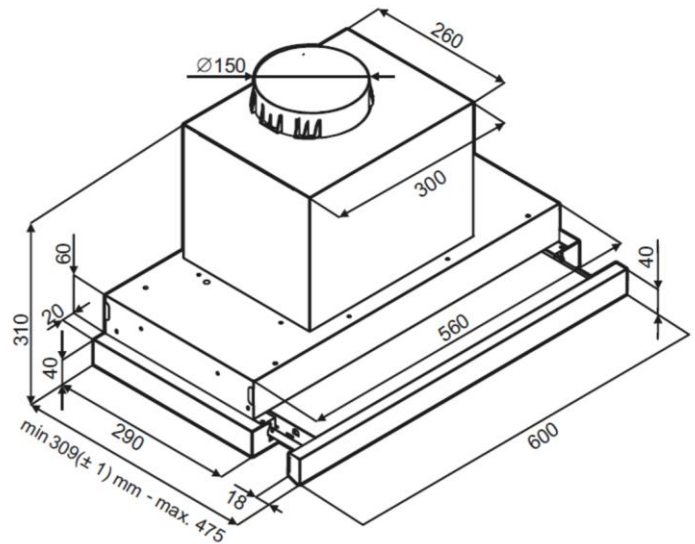
Technical information:

- Energy class: C
- Fluid dynamic efficiency class: B
- Lighting efficiency class: A
- Max. airflow: 639m³/hr (EN standard)
- 2 x 3W LED diode
- 2 x Aluminium grease filter with polyurethane foam
- 120/150mm tube connection
- Total connected load : 246W (13A)

Appliance dimensions:

- 310H x 600W x min. 309(±1) – max. 475D mm

Made in Poland



Sole Distributor of HKSAR & Macau: