

BO798S53X 60cm built-in oven

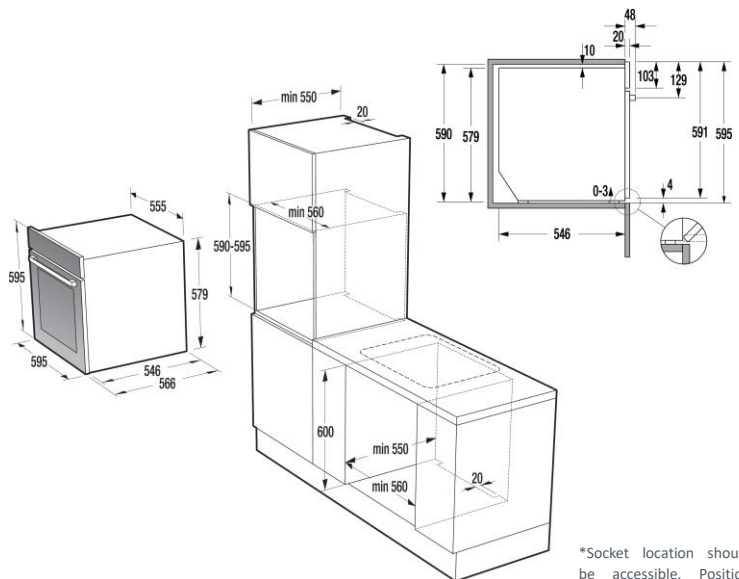
Design:

- Black glass with stainless steel side trims
- HomeMade² cavity design
- TouchFree Inox
- Color DotMatrix electronic control
- Align with our compact range



Features:

- MultiFlow 360°
- 15 oven functions :
 - Conventional heating (upper heater + bottom heater)
 - Upper heater
 - Bottom heater
 - Small variable grill
 - Full variable grill
 - Fan grill
 - 3D hot air
 - Eco hot air
 - Bottom heater with hot fan
 - Bottom heater with fan
 - AutoRoast
 - FastPreheat
 - Warming
 - PlateWarm
 - Defrost
- GentleClose door



*Socket location should be accessible. Position behind the appliances is not recommended.

Cleaning features :

- AquaClean
- SilverMatte enamel interior
- Full glass inner door, removable
- Drop down grill element

Safety systems:

- DynamiCooling System +
- Ultra Cool Door (3 glass layers + 2 reflective layers)
- Thermo electric oven protection
- Door switch

Technical information:

- 73L usable volume
- 275°C max. temperature
- Total connected load: 3400W

Supplied accessories:

- 1 meat probe
- 1 deep baking pan
- 2 baking trays EM
- 1 oven grid

Appliance dimensions:

- 595H x 595W x 546D

Niche dimensions:

- 590-595H x 560W x 550D

Made in Slovenia

The specifications are subject to change without prior notice. © Toptech Co. Limited Feb 2018