

BO799S50X 60cm built-in oven

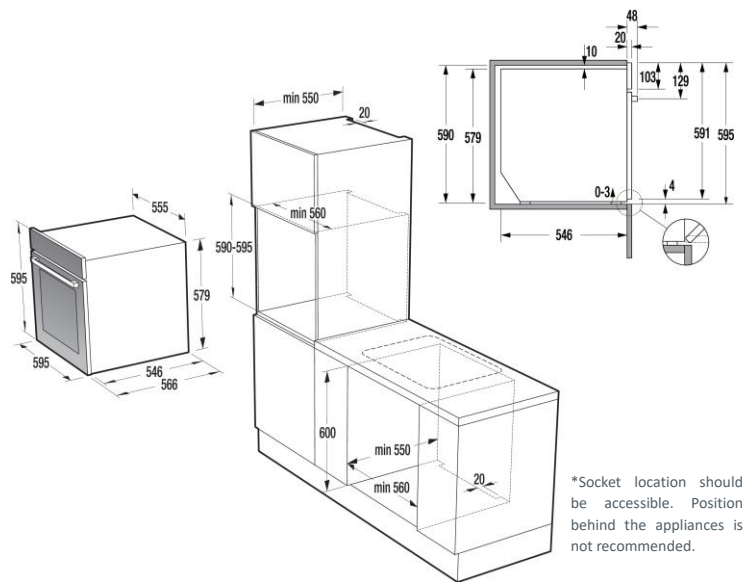
Design:

- Black glass with stainless steel side trims
- HomeMade² cavity design
- TouchFree Inox
- HomeChef full color touch control with TFT display
- Align with our compact range



Features:

- MultiFlow 360°
- 15 oven functions :
 - Conventional heating (upper heater + bottom heater)
 - Upper heater
 - Bottom heater
 - Small variable grill
 - Full variable grill
 - Fan grill
 - 3D hot air
 - Eco hot air
 - Bottom heater with hot fan
 - Bottom heater with fan
 - AutoRoast
 - FastPreheat
 - Warming
 - PlateWarm
 - Defrost
- 82 automatic programmes
- StepCook, up to 3 steps
- 16 MyMode
- Pause function
- Start delay, max. 10hrs
- Minute minder, max. 10hrs
- GentleClose door
- Double oven illumination



Cleaning features :

- AquaClean
- SilverMatte enamel interior
- Full glass inner door, removable
- Drop down grill element

Safety systems:

- DynamiCooling System +
- Child lock
- Ultra Cool Door (3 glass layers + 2 reflective layers)
- Door switch

Technical information:

- 73L usable volume
- 275°C max. temperature
- Total connected load: 3400W (20A)

Supplied accessories:

- 3-level full extension telescopic rails
- 1 meat probe
- 1 glass baking tray
- 1 deep & 2 shallow baking trays with SilverMatte
- 1 oven grid

Appliance dimensions:

- 595H x 595W x 546D

Niche dimensions:

- 590-595H x 560W x 550D

Made in Slovenia

The specifications are subject to change without prior notice. © Toptech Co. Limited Sep 2017