

## WHT923E5X 900mm wall mounted cooker hood

### Design:

- Stainless steel finishing
- TouchFree inox

### Features:

- Electronic soft touch buttons
- 3 speed levels
- Exhaust and re-circulate air operation

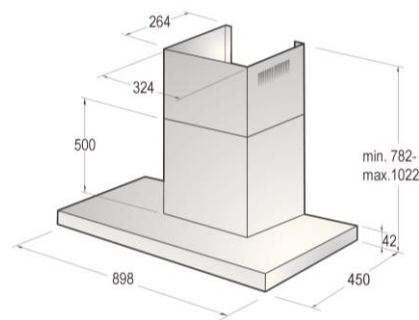
### Technical information:

- EU Energy efficiency class: B
- EU Fluid dynamic efficiency class: C
- EU Grease filtering efficiency class: B
- EU Lighting efficiency class: A
- Max. airflow by extraction operation: 560m<sup>3</sup>/hr
- 2 x 3W LED diodes
- Total connected load : 206W (16A)

### Appliance dimensions:

- 782-1022H x 898W x 450D (mm)

Made in Poland



Sole Distributor of HKSAR & Macau: