

Design:

- Type: Inclined
- Sensitive control

Features:

- Number of speeds : 3 + 1 boost
- Double suction
- Peripheral suction
- Delay and 24-Hour function
- Exhaust or recirculation air operation
- Filter alarm
- Grease filter material: Aluminium
- Number of grease filters: 3



Technical information:

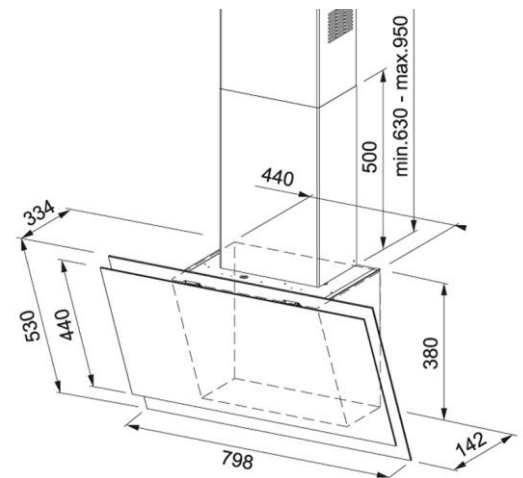
- Energy class: A+
- Max. air flow: 700m³/h (EN61591)
- Max. noise level: 69dB(A)
- 1 motor 270 W
- 1W LED x 2
- Air outlet : 150mm
- Total connected load: 272W
- Frequency / Voltage: 50-60Hz / 220-240V

Accessories:

- Optional: remote control, charcoal filter

Appliance dimensions:

- 798W x 174D x 1010-1330H (mm)



Made in France

Sole Distributor of HKSAR & Macau:



A Great Eagle Trading Holdings Company